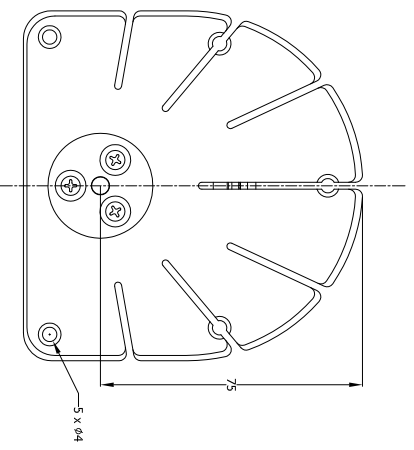
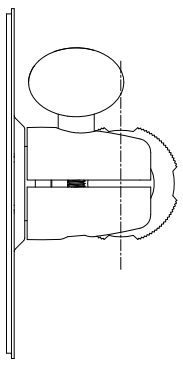
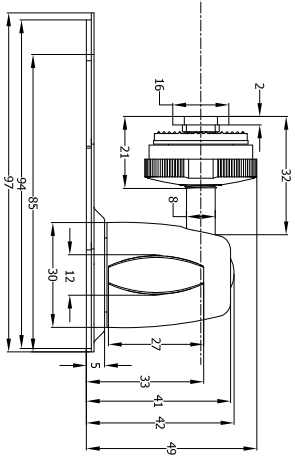
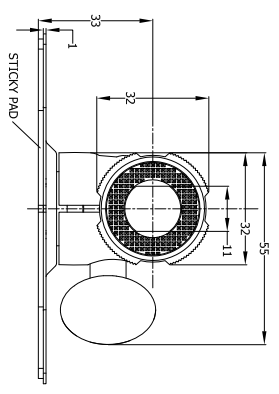
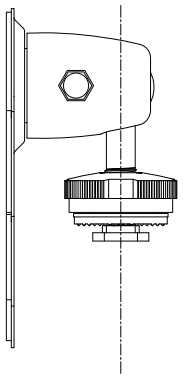
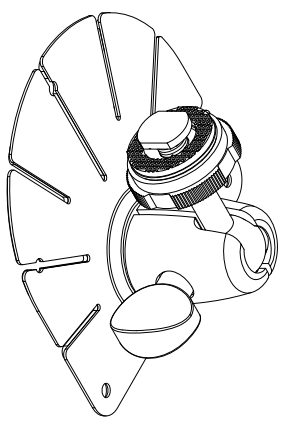
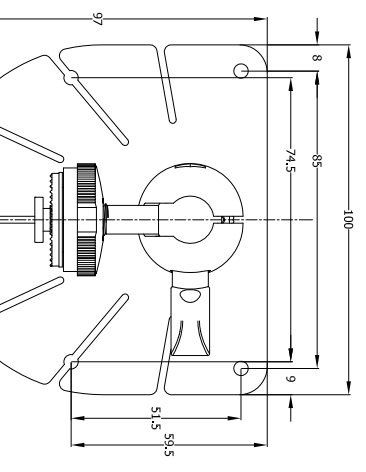


Rev/No	Revision note	Date	Signature	Checked
1	DIMENSIONS UPDATED AS ORIGINALLY ISSUED INCORRECTLY.	01/02/2010	DK	AL



NOTES:
MATERIAL IS STEEL
FINISH IS PAINTED BLACK
DIMENSIONS IN MM

PROPRIETARY NOTICE
 THIS DESIGN AND TECHNICAL INFORMATION APPEARING ON THIS DRAWING IS THE PROPERTY OF BRIGADE ELECTRONICS PLC, AND IS DISCLOSED IN CONFIDENCE. IT IS NOT TO BE COPIED, REPRODUCED, REVEALED TO OR APPROPRIATE BY OTHERS, EITHER IN WHOLE OR IN PART, WITHOUT THE EXPRESS WRITTEN CONSENT OF BRIGADE ELECTRONICS PLC.

ASSEMBLY PLANT REF: TBD

Item#	Quantity	Title/Name, designation, material, dimension etc	Article No./Reference
DESIGNED BY			
CHKD BY			
APPROVED BY			
DATE			
FILENAME			
BRIGADE ELECTRONICS		BMX-015 (#3148A)	
		BE-000895-01-09	
		A	
		Sheet	
		1/1	